

Heritage Collection

Marietta Series

35-250W HPS, 50-250W MH, 100-250W MV

PRODUCT OVERVIEW

Features:

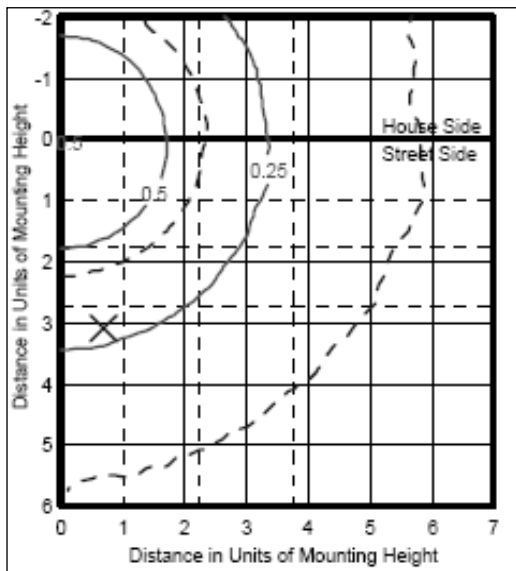
- Available in solid or clear top prismatic globe.
- Interchangeable base with a wide variety of globes.
- Symmetric or Asymmetric distribution.
- Available in Semi-Cutoff IES classification.
- Injection-molded, high-impact acrylic or polycarbonate.
- Excellent uniformity, light distribution and efficiency.
- Maximizes pole spacing.
- Base and optical ship separately.
- HPS units standard with encapsulated starter that is located at the socket for quick access.
- Quick disconnect plug for easy maintenance.
- Easy access component door.
- Photocontrol and terminal block available and located with easy access from component door.
- Uplight shield option available.
- Mounts to 3" x 3" pole top tenons.
- All electrical components warranted by AEL's 6-year guarantee.
- Complies with ANSI: C136.2, C136.10, C136.15, C136.31.
- Suitable for -30°C MH & MV / -40°C HPS.





Applications:

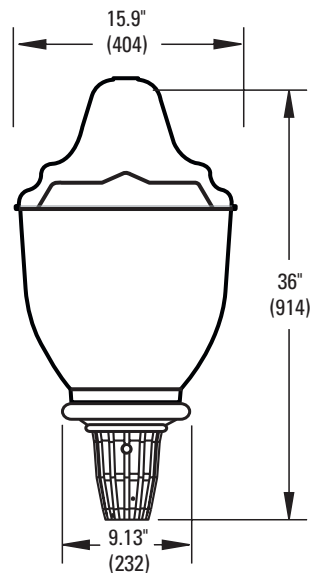
- Streetscapes
- Walkways
- Pathways
- Parks

LMD 17M R5 PA



 Maximum Intensity
 1/2 Maximum Intensity

DIMENSIONS



Effective Projected Area (EPA)

The EPA for the Marietta Series is 2.7 sq. ft.
Approx. Wt. = 24 lbs.

Heritage Collection

Marietta Series

35-250W HPS, 50-250W MH, 100-250W MV

ORDERING INFORMATION

Example: LMD 17M CA MT1 R5 PA PR PC US

Series		Wattage / Source		Ballast		Voltage		Distribution			
LMD	Marietta	03	35W	S	HPS	RN	Reactor Normal	120	120V	R3	Type III
		05	50W	M	MH		Power Factor	208	208V	R5	Type V
		07	70W	V	MV	RH	Reactor High	240	240V		
		10	100W				Power Factor	277	277V		
		15	150W			XN	High Reactance/Lag NPF	347	347V		
		17	175W			XH	High Reactance/Lag HPF	480	480V		
		25	250W ¹			CA	CWA Auto-Reg	MT1	Multi-tap wired 120V		
						CT	CWI	MT8	Multi-tap wired 208V		
								MT2	Multi-tap wired 240V		
								MT7	Multi-tap wired 277V		
								TT1	Tri-tap wired 120		
								TT7	Tri-tap wired 277		
								TT3	Tri-tap wired 347		
								DT1	Dual Tap 120/240 wired 120		
								DT2	Dual Tap 120/240 wired 240		

Options

Maximum number of options is six. For more options, please contact your local American Electric Lighting representative.

Globe

- PA** Prismatic Acrylic solid top (optical)
- PT** Prismatic clear top polycarbonate (optical)
- PN** Prismatic clear top acrylic (optical)

- T2** Wired to L1 & L2 Positions
- T3** 3 wire operations (L1, N, L2 Position)²

Notes:

- 1 250W adds 3" to housing height
- 2 Not applicable for 120 volt
- 3 For use with PR option

Lamp

- LC** Lamp Included, Clear
- LD** Lamp Included, Deluxe/Coated

Paint

(blank) Black ONLY

Photocontrol

- (blank) None
- PC** Twist-lock Photocontrol³

Receptacle

- (blank) No photocontrol receptacle (std)
- PR** Photocontrol receptacle
- PB** Phosphor bronze contacts²

Misc

- SH** Shorting Cap³
- SS** Stainless Steel Fasteners (external)
- US** Uplight Shield
- BD** Without decorative cage
- TL** Tool-less Entry

Terminal Block

(blank) Terminal Block (std)